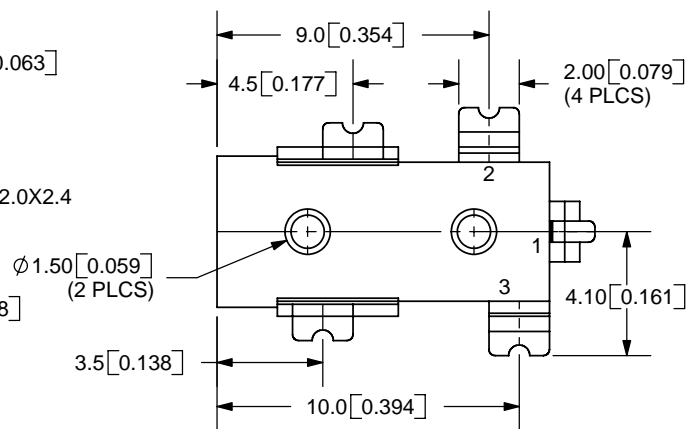
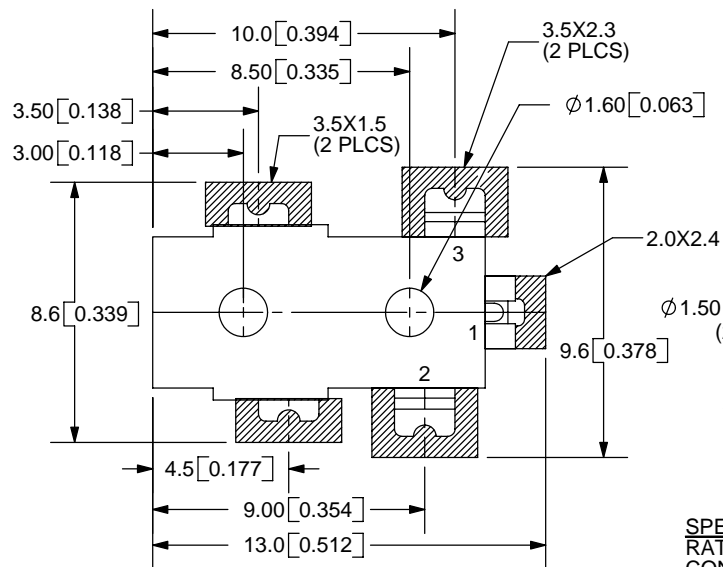
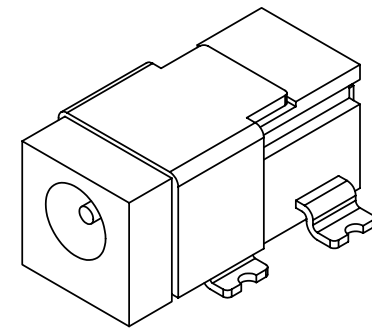
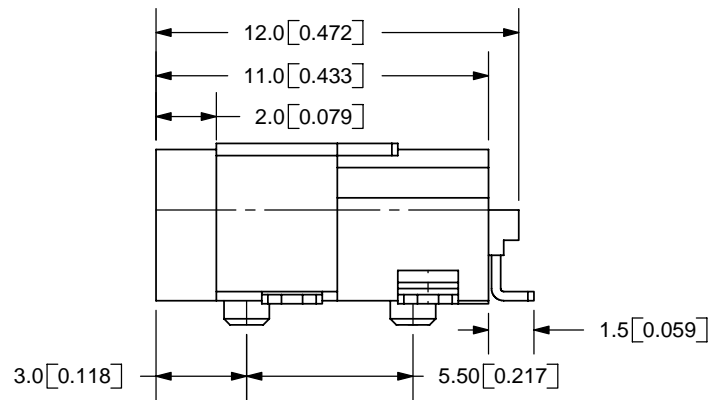
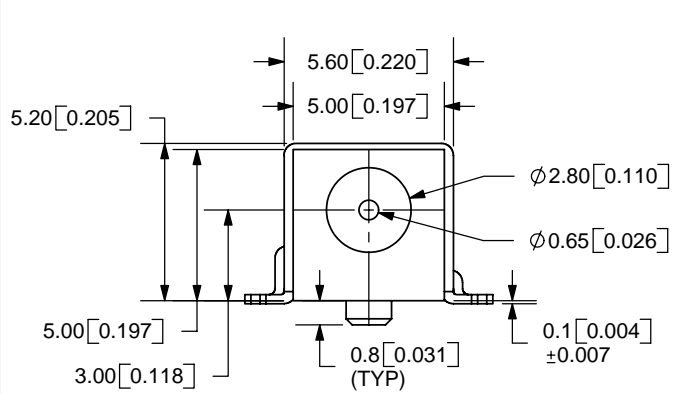


REV.	DESCRIPTION	DATE
A	NEW DRAWING	10/21/2005
B	Correction made to spec rating	4/19/2006



TOLERANCE:
 X.X ±0.2mm
 X.XX ±0.1mm
 X.XXX ±0.05mm



PCB LAYOUT
TOP VIEW

MODEL NO.	PJ1-023-SMT
SCHMATIC	

CENTER PIN DIAMETER 0.65mm Dia.

SPECIFICATIONS:
 RATING: 12V DC @ 2.5A
 CONTACT RESISTANCE: 30m OHMS MAX
 INSULATION RESISTANCE: 50M OHMS MIN: 500V DC
 VOLTAGE WITHSTAND: 500V AC R.M.S. FOR 1 MINUTE
 LIFE: 5,000 CYCLES

	MATERIAL	PLATING
CENTER PIN	Brass	Silver
TERMINAL 1	Brass	Silver
TERMINAL 2	Copper Alloy	Silver
TERMINAL 3	Brass	Silver
SHIELD	Cold Rolled Steel	Nickel
HOUSING	PA6T	



9615 SW Allen Blvd., Ste. 103
 Beaverton, OR 97005
 Phone: 503-643-4899
 800-275-4899
 Fax: 503-372-1266
 Website: www.cui.com

TITLE:	0.65mm DC POWER JACK, SURFACE MOUNT	REV:	A
PART NO.	PJ1-023-SMT	UNITS:	MM [INCHES]
DRAWN BY:	ZRJ	APPROVED BY:	
		SCALE:	4:1

PC FILE NAME:
PJ1-023-SMT

COPYRIGHT 2005 BY CUI INC.